

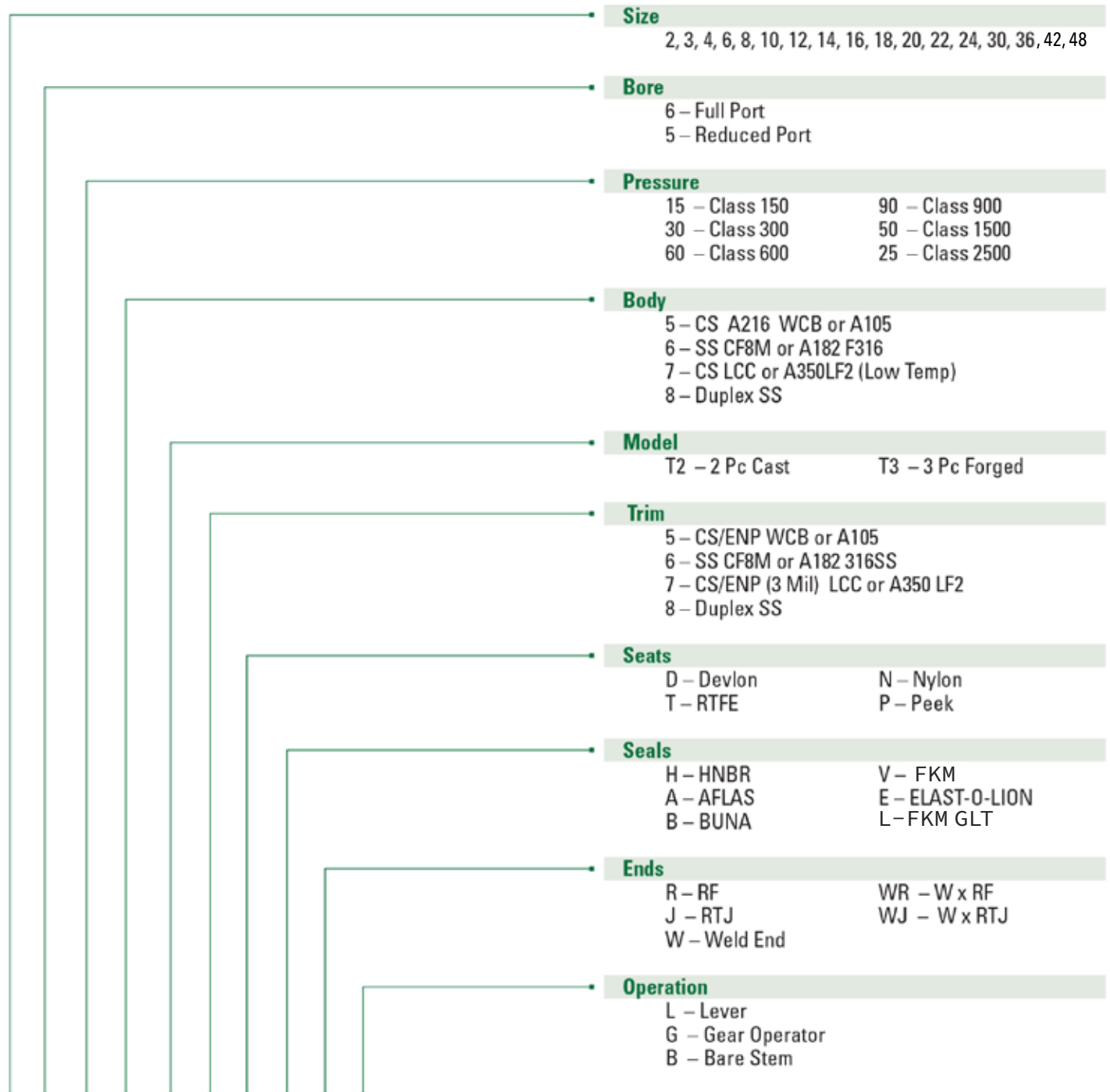


TRUNNION MOUNTED BALL VALVES

GATE • GLOBE • CHECK • BALL



WARREN VALVE TRUNNION ORDERING GUIDE



8 6 60 5 T2 5 D H R G

Example

NOTE: All Warren Trunnion Mounted Ball Valves meet NACE MR 0175/ISO 15156 Latest Edition and Fire Safe as a standard.

01 **ABOUT OUR COMPANY**

02 **THREE-PIECE FORGED TRUNNION BALL VALVES**

 FIGURE NUMBER **6155 - 6156 T3**

 FIGURE NUMBER **6305 - 6306 T3**

 FIGURE NUMBER **6605 - 6606 T3**

 FIGURE NUMBER **6905 - 6906 T3**

 FIGURE NUMBER **6505 - 6506 T3**

 FIGURE NUMBER **6255 - 6256 T3**

03 **O-RING & SEAT INSERT MATERIAL CHARTS**

04 **TECHNICAL SERVICE**

05 **FUGITIVE EMISSIONS STATEMENT**

06 **WARRANTY & POLICIES**

07 **WARREN VALVE TRUNNION ORDERING GUIDE**



WHY WARREN VALVE?

Warren Valve has a long history serving a variety of flow control markets in North America. From humble beginnings, supplying product into alloy applications and downstream process markets, Warren Valve has grown and evolved over 30 years to become a full service manufacturing company. Warren Valve is focused on providing product and service to the oil & gas, industrial and mechanical markets throughout North America.

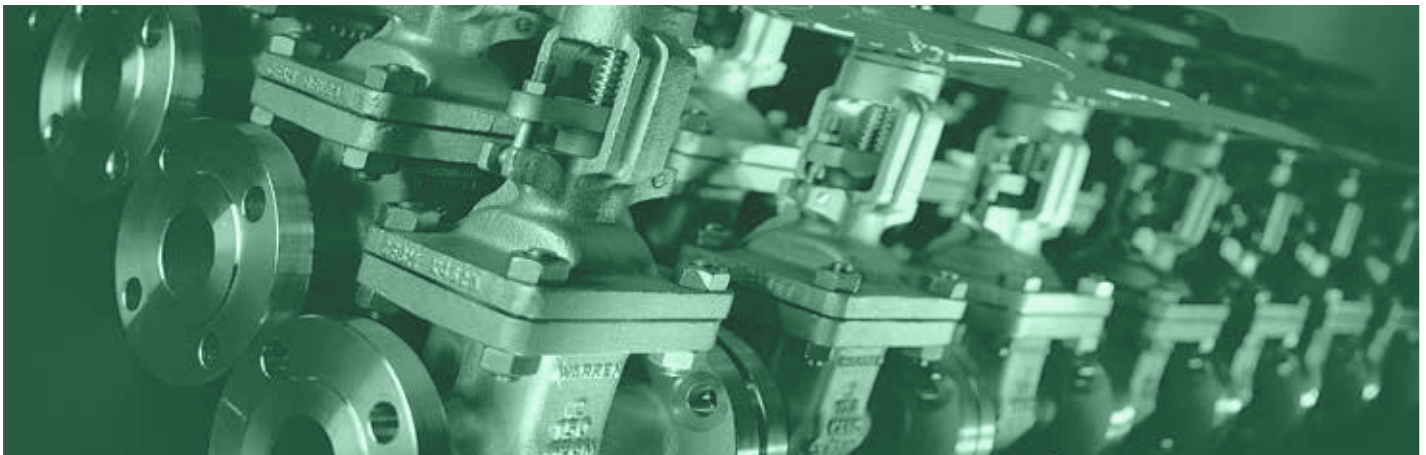


Our commitment to quality, and our ability to develop & manage our supply chain, really sets Warren Valve apart from the competition. This aspect of our business has allowed Warren Valve to move quickly with market demand and product development, while maintaining product integrity and commitments to our customers. The recent opening of Warren Valve Engineered Products in Houston, TX, exemplifies our continued evolution and investment to enhance our customer's experience with the best deliveries, customized valve solutions, and competitive pricing.

When combined with a sales and service culture that is committed to exceeding customer expectations, on every order, Warren Valve continues to evolve, innovate and drive excellence into our business. Our history, our ownership, and our leadership demand this from themselves and from every employee. This common purpose will power Warren Valve to become the most highly regarded Tier 1 valve manufacturer in the world.

HIGHEST TRANSPARENCY

No other manufacturer is as transparent as Warren when it comes to proving our industry-leading manufacturing and QA/QC process. We're part of the Allied Group — We do what we say, and we stand behind our products 100 percent.





WE ARE COMMITTED TO QUALITY

Warren Valve maintains the highest quality standards in the industry. Our QA Team performs extensive testing and material inspections throughout the entire manufacturing process to ensure that our customers get only the highest quality products. This commitment and attention to detail not only guarantees a superior product, but it puts Warren Valve in a league of its own.

STRICT QUALITY CONTROL

Our valves are subject to rigorous inspections throughout the manufacturing process. These comprehensive evaluations include on-site audits, inspection at the source, receiving inspections and destructive material testing. These processes are overseen by our Q1 9th Edition Management Team and our dedicated QA/QC Inspectors. Warren's strict quality control ensures that each valve is manufactured to endure the most demanding applications. In-House testing assures that valves meet out highest quality standards, and production is certified to ISO standards. Mill test reports are always available.

100% AMERICAN OWNED

Warren Valve has served the industrial and mechanical markets in North America for more than 30 years. We have one of the largest investments in finished carbon steel, stainless steel, and exotic inventory in North America.





THREE-PIECE FORGED TRUNNION BALL VALVES

Warren Valve offers a 2”–48” forged steel three-piece trunnion ball valves to meet the industry’s strictest specifications. Our products include ANSI Classes 150–2500 in carbon steel bodies with electroless nickel plating, stainless steel trim, or full stainless steel body and trim. Double block and bleed and emergency sealant injection fittings are standard, along with NACE and fire-safe.

Our comprehensive evaluation includes on-site audits, inspection at the source, receiving inspections, and destructive material testing. Mill test reports are always available.

A105N

CLASS	FIGURE NUMBER
150#	6155- T3
300#	6305- T3
600#	6605- T3
900#	6905- T3
1500#	6505- T3
2500#	6255- T3

A182-F316

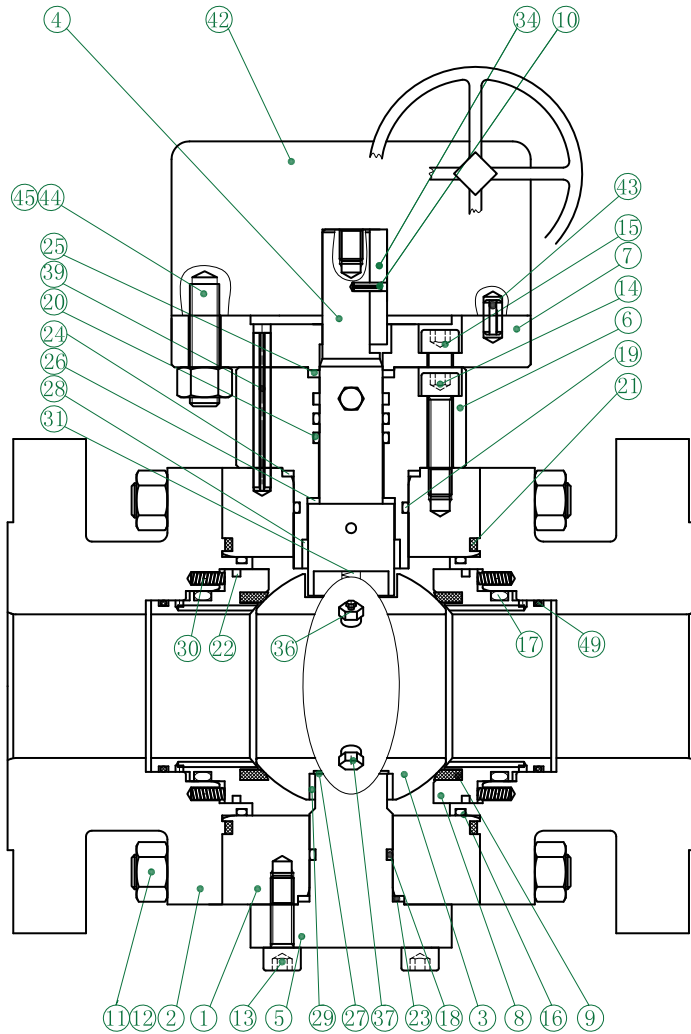
CLASS	FIGURE NUMBER
150#	6156- T3
300#	6306- T3
600#	6606- T3
900#	6906- T3
1500#	6506- T3
2500#	6256- T3

PRODUCT OVERVIEW

SIZE RANGE	2” –48”
PRESSURE RANGE	ANSI 150# through ANSI 2500# pressure class
MATERIAL GRADES	A105N, A182-F316 SS, A350-LF2, A350-LF6, and F51 Duplex
PORT SIZES	Full Bore, and Reduced Bore
TRIM MATERIALS	3MIL ENP, 316SS, and F51 Duplex
SEAT INSERT MATERIAL	Devlon (PEEK and others available upon request)
SEAT MATERIALS	HNBR 90 DURO, James Walker 101/985, Viton GLT, and AFLAS
END CONFIGURATIONS	Raised Face (RF), Ring Type Joint (RTJ), Butt Weld (BW), and Flanged X Butt Weld

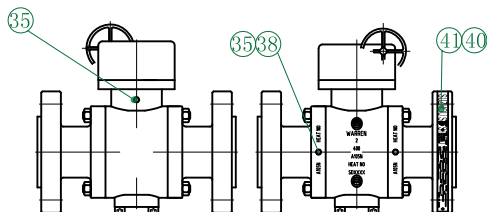
FULL PORT DESIGN

ANSI CLASS 150 - 300 - 600 - 900 - 1500 - 2500



A105N MATERIAL LIST

NO.	PART NAME	MATERIAL
1	BODY	ASTM A105N
2	ADAPTER	ASTM A105N
3	BALL	ASTM A105N+0.075ENP
4	STEM	AISI 4140+0.075ENP
5	TRUNNION	ASTM A105N+0.075ENP
6	BONNET	ASTM A105N
7	TOP FLANGE	ASTM A105N
8	SEAT	ASTM A105N+0.075ENP
9	SEAT INSERT	DEVLON
10	PIN	ASTM A29 1566
11	BOLT	ASTM A193 B7M
12	NUT	ASTM A194 2HM
13	SCREW	ASTM A193 B7M
14	SCREW	ASTM A193 B7M
15	SCREW	ASTM A193 B7M
16	O-RING	90-DR HNBR
17	O-RING	90-DR HNBR
18	O-RING	90-DR HNBR
19	O-RING	90-DR HNBR
20	O-RING	90-DR HNBR
21	GASKET	GRAPHITE
22	PACKING	BRAIDED GRAPHITE
23	GASKET	GRAPHITE
24	GASKET	GRAPHITE
25	GASKET	GRAPHITE
26	THRUST WASHER	PEEK
27	WASHER	PTFE
28	BEARING	CS+PTFE
29	BEARING	CS+PTFE
30	SEAT SPRING	INCONEL X-750
31	ANTISTATIC SPRING	ASTM A313 316
32	ANTISTATIC SPRING	ASTM A313 316
33	ANTISTATIC BALL	ASTM A182 F316
34	SQUARE KEY	ASTM A29 1045
35	INJECTION VALVE	ASTM A182 F304+SS316
36	VENT VALVE	ASTM A182 F304
37	DRAIN PLUG	ASTM A182 F304
38	CHECK VALVE	ASTM A182 F304
39	PIN	ASTM A29 1566
40	NAMEPLATE	ASTM A240 316
41	RIVET	ASTM A276 304
42	GEARBOX	ASTM A48 No. 35A
43	PIN	ASTM A29 1566
44	BOLT	ASTM A193 B7M
45	NUT	ASTM A194 2HM
46	O-RING	90-DR HNBR



A182-F316 MATERIAL LIST

NO.	PART NAME	MATERIAL
1	BODY	ASTM A182 F316
2	ADAPTER	ASTM A182 F316
3	BALL	ASTM A182 F316
4	STEM	ASTM A182 F51
5	TRUNNION	ASTM A182 F316
6	BONNET	ASTM A182 F316
7	MOUNTING PLATE	ASTM A182 F316
8	SEAT RETAINER	ASTM A182 F316
9	SEAT INSERT	DEVLON

OTHER BODY AND TRIM MATERIALS AVAILABLE.

Please contact Warren Valve or your Warren Valve representative for more details.

FULL PORT DESIGN

ANSI CLASS 150 - 300 - 600 - 900 - 1500 - 2500

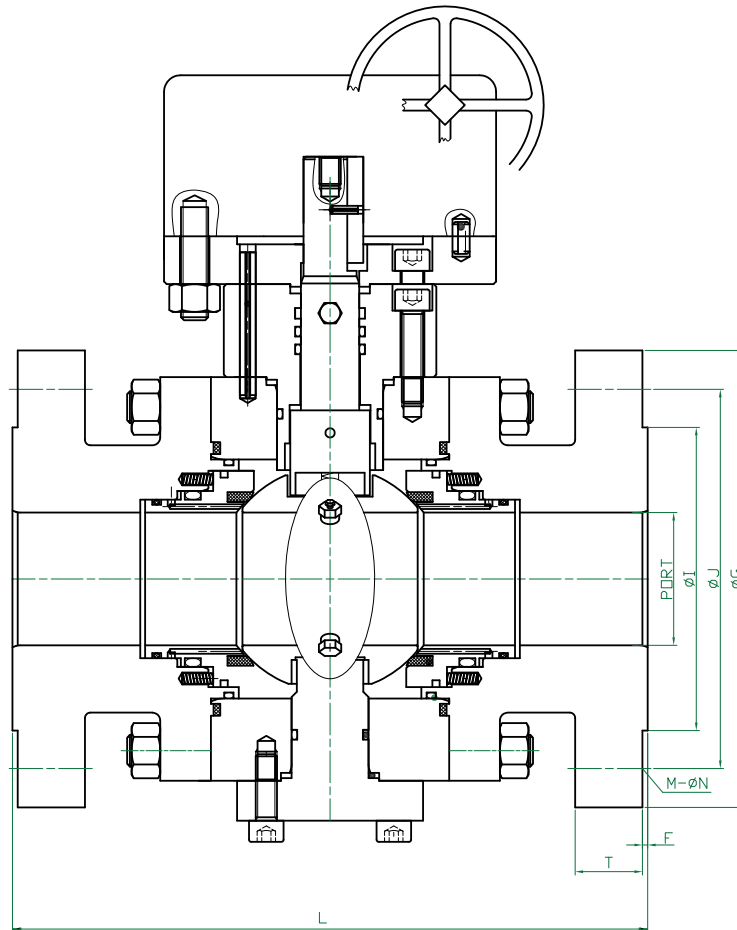


FIGURE NUMBER 6155-6156

SIZE	PORT	L	ØG	ØJ	ØI	T	F	M	ØN
2"	2.00	7.00	6.00	4.75	3.62	0.69	0.06	4	0.75
3"	3.00	8.00	7.50	6.00	5.00	0.88	0.06	4	0.75
4"	4.00	9.00	9.00	7.50	6.19	0.88	0.06	8	0.75
6"	6.00	15.50	11.00	9.50	8.50	0.94	0.06	8	0.875
8"	8.00	18.00	13.50	11.75	10.62	1.06	0.06	8	0.875
10"	10.00	21.00	16.00	14.25	12.75	1.12	0.06	12	1.00
12"	12.00	24.00	19.00	17.00	15.00	1.19	0.06	12	1.00
14"	13.25	27.00	21.00	18.75	16.25	1.31	0.06	12	1.125
16"	15.25	30.00	23.50	21.25	18.50	1.38	0.06	16	1.125
18"	17.25	34.00	25.00	22.75	21.00	1.50	0.06	16	1.25
20"	19.25	36.00	27.50	25.00	23.00	1.62	0.06	20	1.25
24"	23.25	42.00	32.00	29.50	27.25	1.81	0.06	20	1.375
30"	29.00	51.00	38.75	36.00	33.75	2.88	0.06	28	1.375
36"	34.50	60.00	46.00	42.75	40.25	3.50	0.06	32	1.625

FIGURE NUMBER 6305-6306

SIZE	PORT	L	φG	φJ	φI	T	F	M	φN
2"	2.00	8.50	6.50	5.00	3.62	0.81	0.06	8	0.75
3"	3.00	11.13	8.25	6.62	5.00	1.06	0.06	8	0.875
4"	4.00	12.00	10.00	7.88	6.19	1.19	0.06	8	0.875
6"	6.00	15.88	12.50	10.62	8.50	1.38	0.06	12	0.875
8"	8.00	19.75	15.00	13.00	10.62	1.56	0.06	12	1
10"	10.00	22.38	17.50	15.25	12.75	1.81	0.06	16	1.125
12"	12.00	25.50	20.50	17.75	15.00	1.94	0.06	16	1.25
14"	13.25	30.00	23.00	20.25	16.25	2.06	0.06	20	1.25
16"	15.25	33.00	23.27	22.50	18.50	2.19	0.06	20	1.375
18"	17.25	36.00	28.00	24.75	21.00	2.31	0.06	24	1.375
20"	19.25	39.00	30.50	27.00	23.00	2.44	0.06	24	1.375
30"	29.00	55.00	43.00	39.25	33.75	3.57	0.06	28	1.875
36"	34.50	68.00	50.00	46.00	40.25	4.07	0.06	32.00	2
42"	41.25	82.00	50.75	47.50	44.75	4.63	0.06	32.00	1.75

FIGURE NUMBER 6605-6606

SIZE	PORT	L	φG	φJ	φI	T	F	M	φN
2"	2.00	11.50	6.50	5.00	3.62	1.00	0.25	8.00	0.75
3"	3.00	14.00	8.25	6.62	5.00	1.25	0.25	8.00	0.875
4"	4.00	17.00	10.75	8.50	6.19	1.50	0.25	8.00	1.000
6"	6.00	22.00	14.00	11.50	8.50	1.88	0.25	12.00	1.125
8"	8.00	26.00	16.50	13.75	10.62	2.19	0.25	12.00	1.25
10"	10.00	31.00	20.00	17.00	12.75	2.50	0.25	16.00	1.375
12"	12.00	33.00	22.00	19.25	15.00	2.63	0.25	20.00	1.375
14"	13.25	35.00	23.75	20.75	16.25	2.75	0.25	20.00	1.5
16"	15.25	39.00	27.00	23.75	18.50	3.00	0.25	20.00	1.625
18"	17.25	43.00	29.25	25.75	21.00	3.25	0.25	20.00	1.75
20"	19.25	47.00	32.00	28.50	23.00	3.50	0.25	24.00	1.75
24"	23.25	55.00	37.00	33.00	27.25	4.00	0.25	24.00	2.00
30"	29.00	65.00	44.50	40.25	33.75	4.20	0.25	28.00	2.125
36"	34.50	82.00	51.75	47.00	40.25	4.88	0.25	28.00	2.625
42"	41.25	95.95	55.25	50.50	46.00	6.62	0.25	28.00	2.625
48"	46.00	100.00	62.80	57.50	52.52	7.44	0.25	32.00	2.875

FIGURE NUMBER 6905-6906

SIZE	PORT	L	φG	φJ	φI	T	F	M	φN
2"	2.00	14.50	8.50	6.50	3.62	1.50	0.25	8.00	1.00
3"	3.00	15.00	9.50	7.50	5.00	1.50	0.25	8.00	1.00
4"	4.00	18.00	11.50	9.25	6.19	1.75	0.25	8.00	1.25
6"	6.00	24.00	15.00	12.50	8.50	2.19	0.25	12.00	1.25
8"	8.00	29.00	18.50	15.50	10.62	2.50	0.25	12.00	1.50
10"	10.00	33.00	21.50	18.50	12.75	2.75	0.25	16.00	1.50
12"	12.00	38.00	24.00	21.00	15.00	3.12	0.25	20.00	1.50
14"	12.75	40.88	25.25	22.00	18.38	3.38	0.438	20.00	1.625
16"	14.75	44.88	27.75	24.25	20.62	3.50	0.438	20.00	1.75
18"	16.75	48.50	31.00	27.00	23.38	4.00	0.50	20.00	2.00
20"	18.63	52.50	33.75	29.50	25.50	4.25	0.50	20.00	2.125
24"	22.50	61.75	41.00	35.50	30.38	5.50	0.625	20.00	2.625
30"	28.06	74.00	48.50	42.75	33.75	5.88	0.625	20.00	3.125

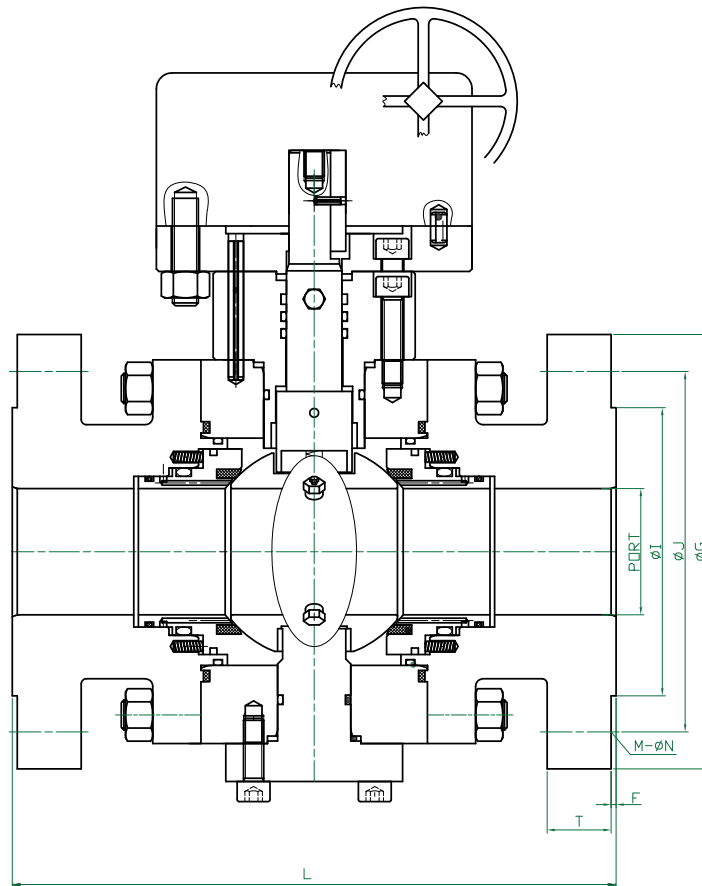


FIGURE NUMBER **6505-6506**

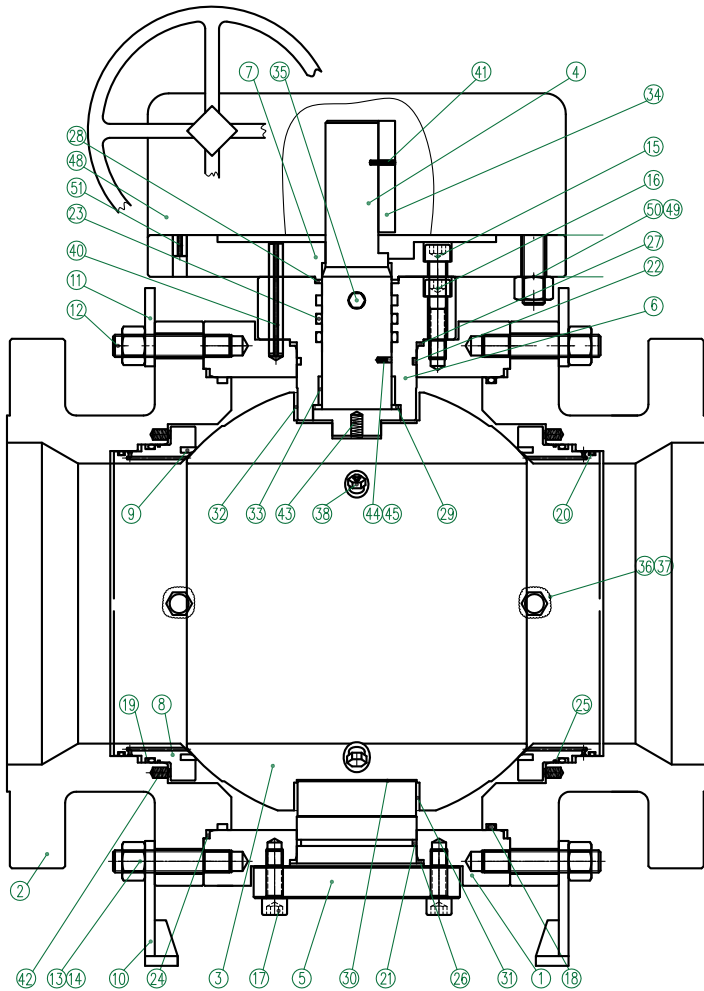
SIZE	PORT	L	ØG	ØJ	ØI	T	F	M	ØN
2"	2.00	14.50	8.50	6.50	3.62	1.50	0.25	8.00	1.00
3"	3.00	18.63	10.50	8.00	6.62	1.88	0.25	8.00	1.25
4"	4.00	21.50	12.25	9.50	6.19	2.12	0.25	8.00	1.38
6"	5.75	27.75	15.50	12.50	8.50	3.25	0.25	12.00	1.50
8"	7.63	33.13	19.00	15.50	12.50	3.62	0.438	12.00	1.75
10"	9.50	39.38	23.00	19.00	14.62	4.25	0.438	12.00	2.00
12"	11.37	45.13	26.50	22.50	17.25	4.88	0.562	16.00	2.125
18"	15.985	61.38	36.00	30.50	24.12	6.38	0.688	16.00	2.875

FIGURE NUMBER **6255-62566**

SIZE	PORT	L	ØG	ØJ	ØI	T	F	M	ØN
1"	1.00	12.12	6.25	4.25	3.25	1.38	0.344	4.00	1.00
2"	1.75	17.88	9.25	6.75	5.25	2.00	0.312	8.00	1.125
3"	2.50	22.75	12.00	9.00	5.00	2.62	0.375	8.00	1.375
4"	3.50	26.50	14.00	10.75	6.19	3.00	0.438	8.00	1.625
6"	5.25	36.50	19.00	14.50	11.00	4.25	0.5	8.00	2.125
8"	7.13	40.25	21.75	17.25	10.62	5.00	0.25	12.00	2.125
10"	8.87	50.88	26.50	21.25	16.75	6.50	0.688	12.00	2.625
12"	10.50	56.88	30.00	24.38	19.50	7.25	0.688	12.00	2.875

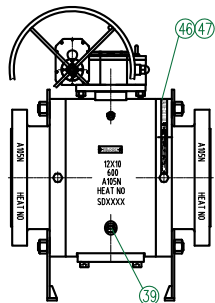
REDUCED PORT DESIGN

ANSI CLASS 150 - 300 - 600 - 900 - 1500 - 2500



A105N MATERIAL LIST

NO.	PART NAME	MATERIAL
1	BODY	ASTM A105N
2	ADAPTER	ASTM A105N
3	BALL	ASTM A105N+0.075ENP
4	STEM	AISI4140+0.075ENP
5	TRUNNION	ASTM A105N+0.075ENP
6	BONNET	ASTM A105N
7	MOUNTING PLATE	ASTM A105N
8	SEAT RETAINER	ASTM A105N+0.075ENP
9	SEAT INSERT	DEVLON
10	SUPPORT LEG	ASTM A36
11	LIFT EYE	ASTM A36
12	BOLT	ASTM A193 B7M
13	BOLT	ASTM A193 B7M
14	NUT	ASTM A194 2HM
15	SCREW	ASTM A193 B7M
16	SCREW	ASTM A193 B7M
17	SCREW	ASTM A193 B7M
18	O-RING	90-DR HNBR
19	O-RING	90-DR HNBR
20	O-RING	90-DR HNBR
21	O-RING	90-DR HNBR
22	O-RING	90-DR HNBR
23	O-RING	90-DR HNBR
24	GASKET	GRAPHITE
25	PACKING	BRAIDED GRAPHITE
26	GASKET	GRAPHITE
27	GASKET	GRAPHITE
28	GASKET	GRAPHITE
29	THRUST WASHER	PEEK
30	WASHER	PTFE
31	BEARING	ASTM A515 70+PTFE
32	BEARING	ASTM A515 70+PTFE
33	BEARING	ASTM A515 70+PTFE
34	SQUARE KEY	ASTM A29 1045
35	INJECTION VALVE	ASTM A182 F304
36	INJECTION VALVE	ASTM A182 F304
37	CHECK VALVE	ASTM A182 F304
38	VENT VALVE	ASTM A182 F304
39	DRAIN PLUG	ASTM A182 F304
40	PIN	ASTM A29 1566
41	PIN	ASTM A29 1566
42	SEAT SPRING	INCONEL X-750
43	ANTISTATIC SPRING	ASTM A313 316
44	ANTISTATIC SPRING	ASTM A313 316
45	ANTISTATIC BALL	ASTM A276 316
46	NAME PLATE	ASTM A240 316
47	RIVET	ASTM A276 316
48	GEARBOX	ASTM A48 No. 35A
49	BOLT	ASTM A193 B7M
50	NUT	ASTM A194 2HM
51	PIN	ASTM A29 1566



A182-F316 MATERIAL LIST

NO.	PART NAME	MATERIAL
1	BODY	ASTM A182 F316
2	ADAPTER	ASTM A182 F316
3	BALL	ASTM A182 F316
4	STEM	ASTM A182 F51
5	TRUNNION	ASTM A182 F316
6	BONNET	ASTM A182 F316
7	MOUNTING PLATE	ASTM A182 F316
8	SEAT RETAINER	ASTM A182 F316
9	SEAT INSERT	DEVLON
10	SUPPORT LEG	ASTM A240 304
11	LIFT EYE	ASTM A240 304

OTHER BODY AND TRIM MATERIALS AVAILABLE.

Please contact Warren Valve or your Warren Valve representative for more details.

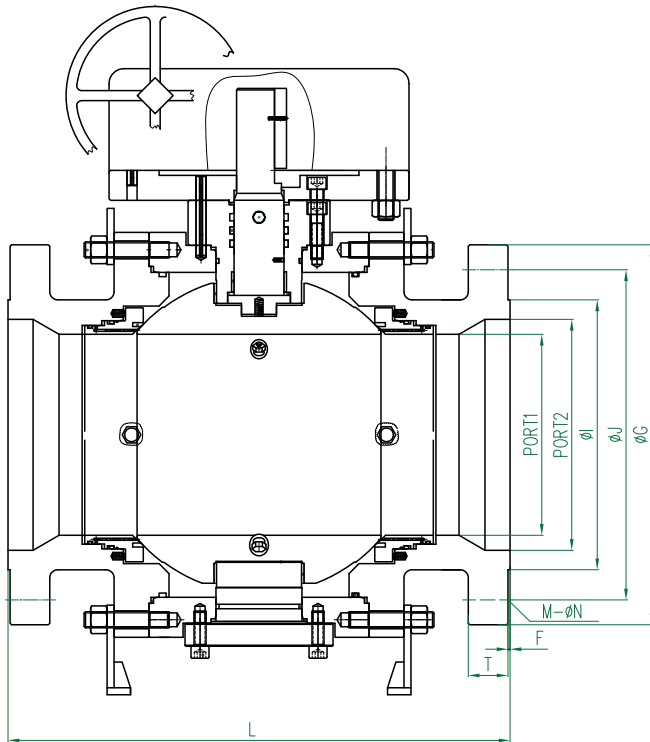


FIGURE NUMBER 5155-5156

SIZE	PORT-1	PORT-2	L	φG	φJ	φI	T	F	M
2"X1 1/2"	2.00	1.50	7.00	6.00	4.75	3.62	0.69	0.06	4
3"X2"	2.00	3.00	8.00	7.50	6.00	5.00	0.88	0.06	4
4"X3"	3.00	4.00	9.00	9.00	7.50	6.19	0.88	0.06	8
6"X4"	4.00	6.00	15.50	11.00	9.50	8.50	0.94	0.06	8
8"X6"	6.00	8.00	18.00	13.50	11.75	10.62	1.06	0.06	8
10"X8"	8.00	10.00	21.00	16.00	14.25	12.75	1.12	0.06	12
12"X10"	10.00	12.00	24.00	19.00	17.00	15.00	1.19	0.06	12
16"X12"	12.00	15.25	30.00	23.50	21.25	18.50	1.38	0.06	16
18"X16"	15.25	17.25	34.00	25.00	22.75	21.00	1.50	0.06	16

FIGURE NUMBER 5305-5306

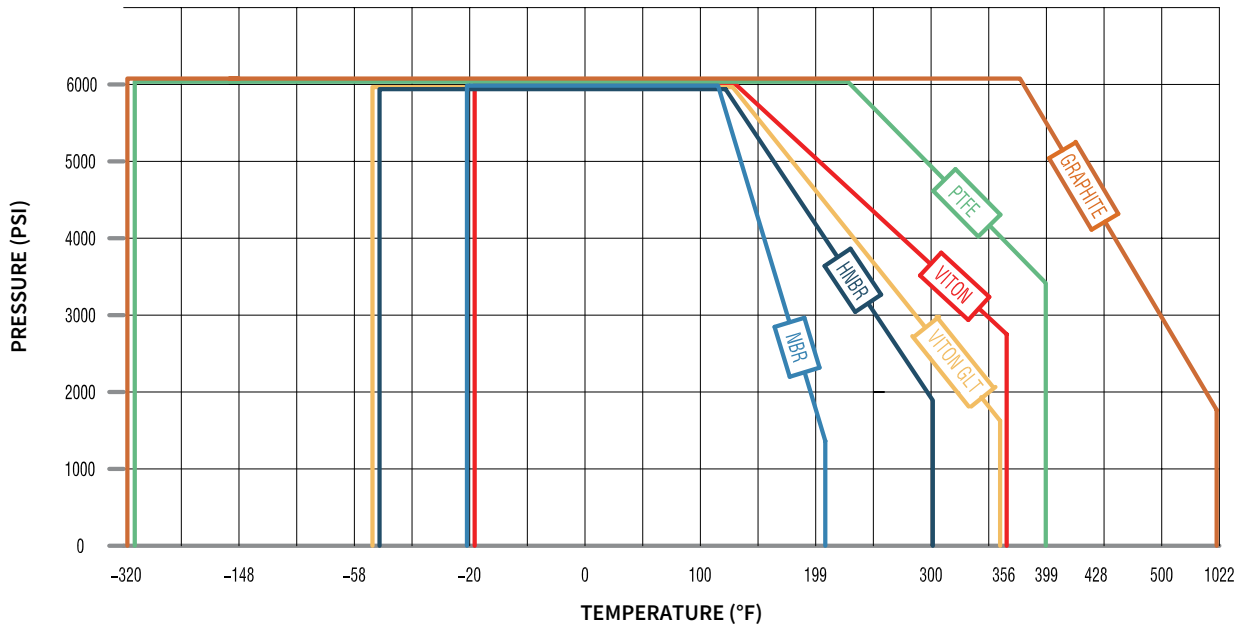
SIZE	PORT-1	PORT-2	L	φG	φJ	φI	T	F	M	φN
4"X3"	3.00	4.00	12.00	10.00	7.88	6.19	1.19	0.06	8	0.88
6"X4"	4.00	6.00	15.88	12.50	10.62	8.50	1.38	0.06	12	0.875
10"X8"	8.00	10.00	22.38	17.50	15.25	12.75	1.81	0.06	16	1.125
24"X20"	19.25	23.25	45.00	36.00	32.00	27.25	2.69	0.06	24	1.63

FIGURE NUMBER 5605-5606

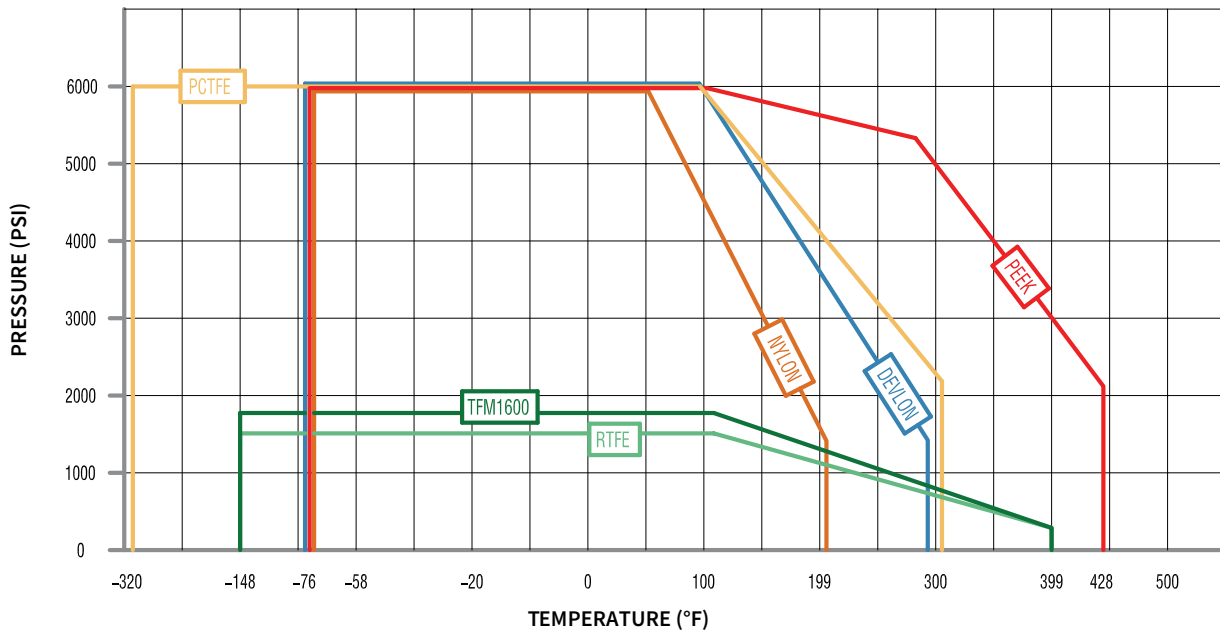
SIZE	PORT-1	PORT-2	L	φG	φJ	φI	T	F	M	φN
2"X1 1/2"	2.00	1.50	11.50	6.50	5.00	3.62	1.00	0.25	8.00	0.75
3"X2"	2.00	3.00	14.00	8.25	6.62	5.00	1.25	0.25	8.00	0.875
4"X3"	3.00	4.00	17.00	10.75	8.50	6.19	1.50	0.25	8.00	1.00
6"X4"	4.00	6.00	22.00	14.00	11.50	8.50	1.88	0.25	12.00	1.125
8"X6"	6.00	8.00	26.00	16.50	13.75	10.62	2.19	0.25	12.00	1.25
10"X8"	8.00	10.00	31.00	20.00	17.00	12.75	2.50	0.25	16.00	1.375
12"X10"	10.00	12.00	33.00	22.00	19.25	15.00	2.63	0.25	20.00	1.375
16"X12"	12.00	15.25	39.00	27.00	23.75	18.50	3.00	0.25	20.00	1.625
20"X16"	15.25	19.25	47.00	32.00	28.50	23.00	3.50	0.25	24.00	1.750
30"X24"	23.19	29.00	65.00	44.50	40.25	33.75	4.50	0.25	28.00	2.125

O-RING & SEAT INSERT MATERIAL CHARTS

O-RING MATERIAL CHART



SEAT INSERT MATERIAL CHART



TECHNICAL SERVICE



24/7 FREE SUPPORT & FIELD SERVICES

Field service and technical support are major elements of successful product manufacturing. At Warren Valve, our commitment to providing comprehensive field services and technical support is part of who we are. Therefore, we offer these services at no additional cost to the end user. Warren Valve's technical support team provides 24/7 assistance on all field service issues. Our team treats every service call as an opportunity to improve our customer experience.



EXPERT ISSUE RESOLUTION

Warren Valve's technical support staff are valve experts who have the necessary regional and application-specific experience to provide reliable technical support to our clients. Safety is a top priority for Warren Valve technical support services, and we employ best-in-class practices that keep safety first. We consider issue resolution a top priority, and our aim is to resolve customer concerns in an expedited fashion.



NATIONWIDE SUPPORT

We are here for you when and where you need us. Members of our support team are strategically located throughout the nation to be closer to you!

FUGITIVE EMISSIONS STATEMENT

Since the Introduction of the U.S. Clean Air Act of 1963, the U.S. Environmental Protection Agency (EPA), and individual states have set increasingly stringent consent decrees on Refineries, Petrochemical, and Oil & Gas end-user facilities to decrease their fugitive emissions. Many of these same end-users have reacted by creating their own Leak Detection and Repair (LDAR) programs.

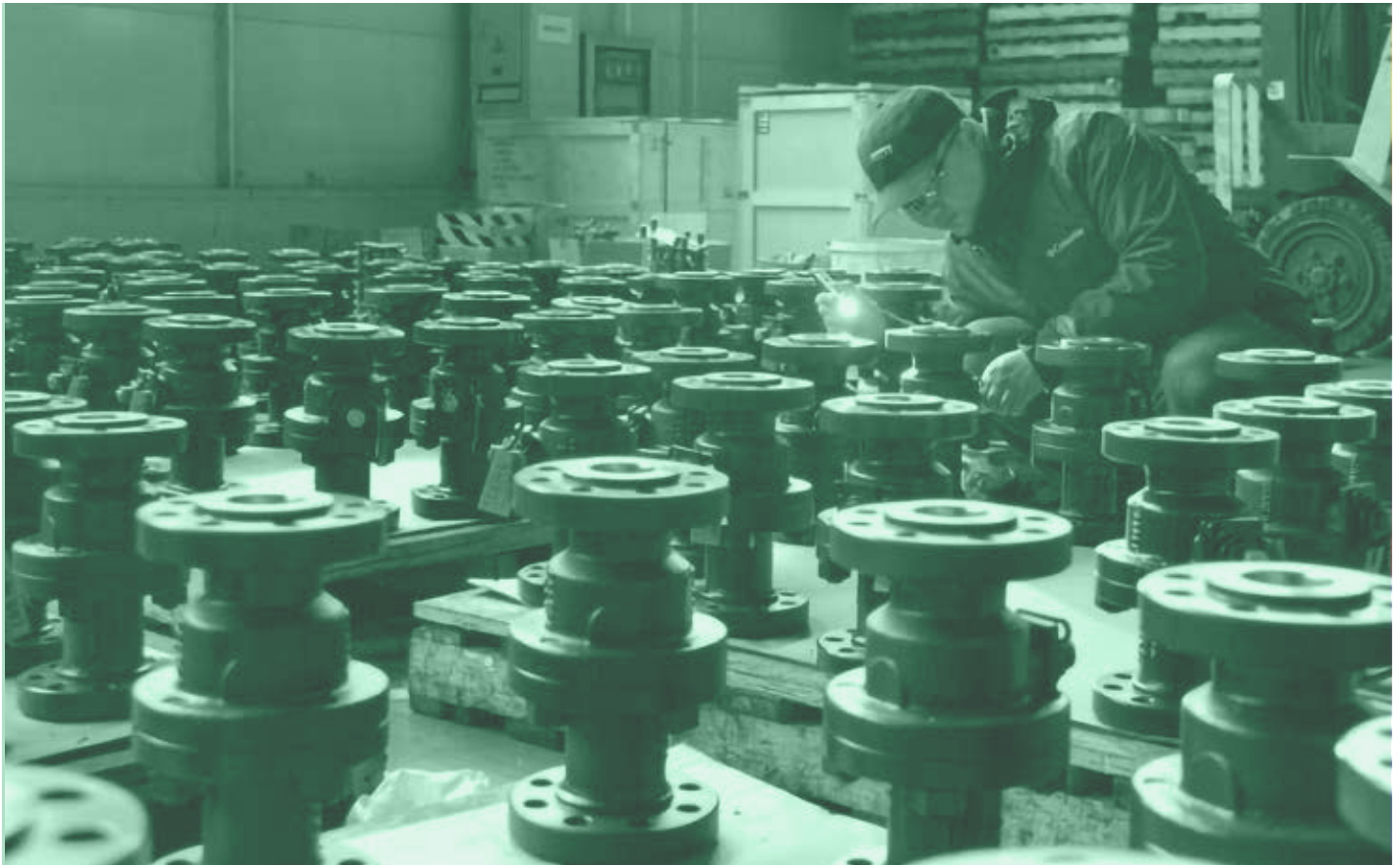
Warren Valve has reacted in an effort to help end-users by creating standards to comply and adhere to in regards to emissions. The initial response by the industry came from the American Petroleum Institute (API) when it added better-defined and more stringent requirements as part of the 2011 edition of API 622 (Type Testing of Process Valve Packing for Fugitive Emissions).

This change created the need for API to develop the API 624 valve type-testing standard (Type Testing of Rising Stem Valves Equipped with Graphite Packing for Fugitive Emissions). API also created API

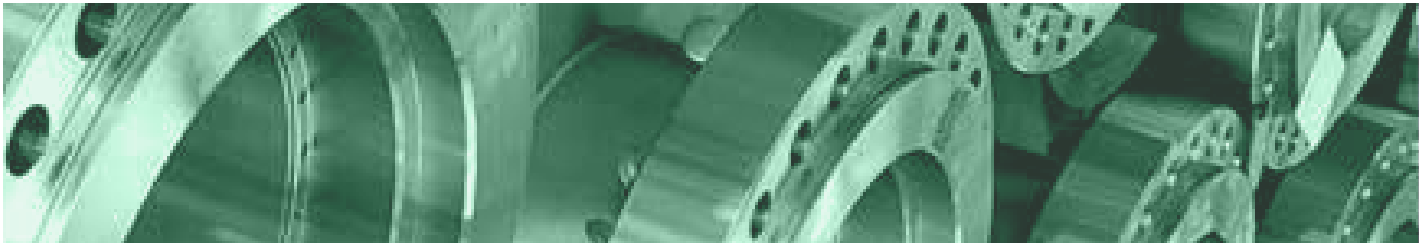
641 valve type testing standard (Type Testing of Rotating Stem Valves with any stem seal material for Fugitive Emissions). The ultimate goal of Warren Valves is to provide exactly what end-users require; meet the growing demands of the EPA and state agencies to reduce emissions.

Warren maintains a strong working relationship with both packing manufactures and sub suppliers of its product. This allows Warren valve to comply with many fugitive emissions requirements of major end-users.

For more information regarding Warren's Low Emissions, and API 641 & API 624 compliance, please contact Warren or your Warren Valve representative directly.



WARRANTY & POLICIES



RESTOCKING POLICY

Standard stocking items purchased from Warren Valve Engineered Products inventory must be approved and authorized prior to return. Inventory levels per line item will be reviewed prior, upon authorization for return, a minimum 10% restocking fee to handle, clean and perform 100% testing and inspection will apply. These items must be returned prepaid to the original delivery point within 60 days from date of invoice in new condition with supporting documentation (Permission in writing, Return authorization #, Mill Test Reports). After 60 days from date of invoice the restocking charge will be a minimum 25%. All Non-standard, used, damaged, machined or modified product or product that was specialty ordered is considered non-returnable, non-cancelable.

PROJECTS:

Standard stocking items ordered in project quantities from Warren Valve Engineered Products inventory must be approved and authorized prior to return. Inventory levels per line item will be reviewed prior, upon authorization for return, a minimum 25% restocking fee to handle, clean and perform 100% testing and inspection will apply. Authorized return of items ordered in project quantity will not exceed 10% of the purchase order quantity per line item. These items must be returned prepaid to the original delivery point from date in new condition with supporting documentation (Permission in writing, return authorization #, Mill Test Reports). All Non-standard, used, damaged, machined or modified product or product that was specialty ordered is considered non-returnable, non-cancelable.

CANCELATIONS AND RETURNS

Purchase orders once placed by Buyer and accepted by Seller can be canceled only with Seller's written consent and upon terms which will save Seller from loss. No products may be returned for credit or adjustment without written permission from Seller's office authorized to issue such permission

EXPORT CONTROL

All products sold by Warren Valve are subject to United States export and any export controls must be in compliance with United States Law. Material quoted and or sold by Warren Valve is not to be shipped, nor transshipped into the following countries: Cuba, Iran, North Korea, Sudan, or Syria.

WARRANTY

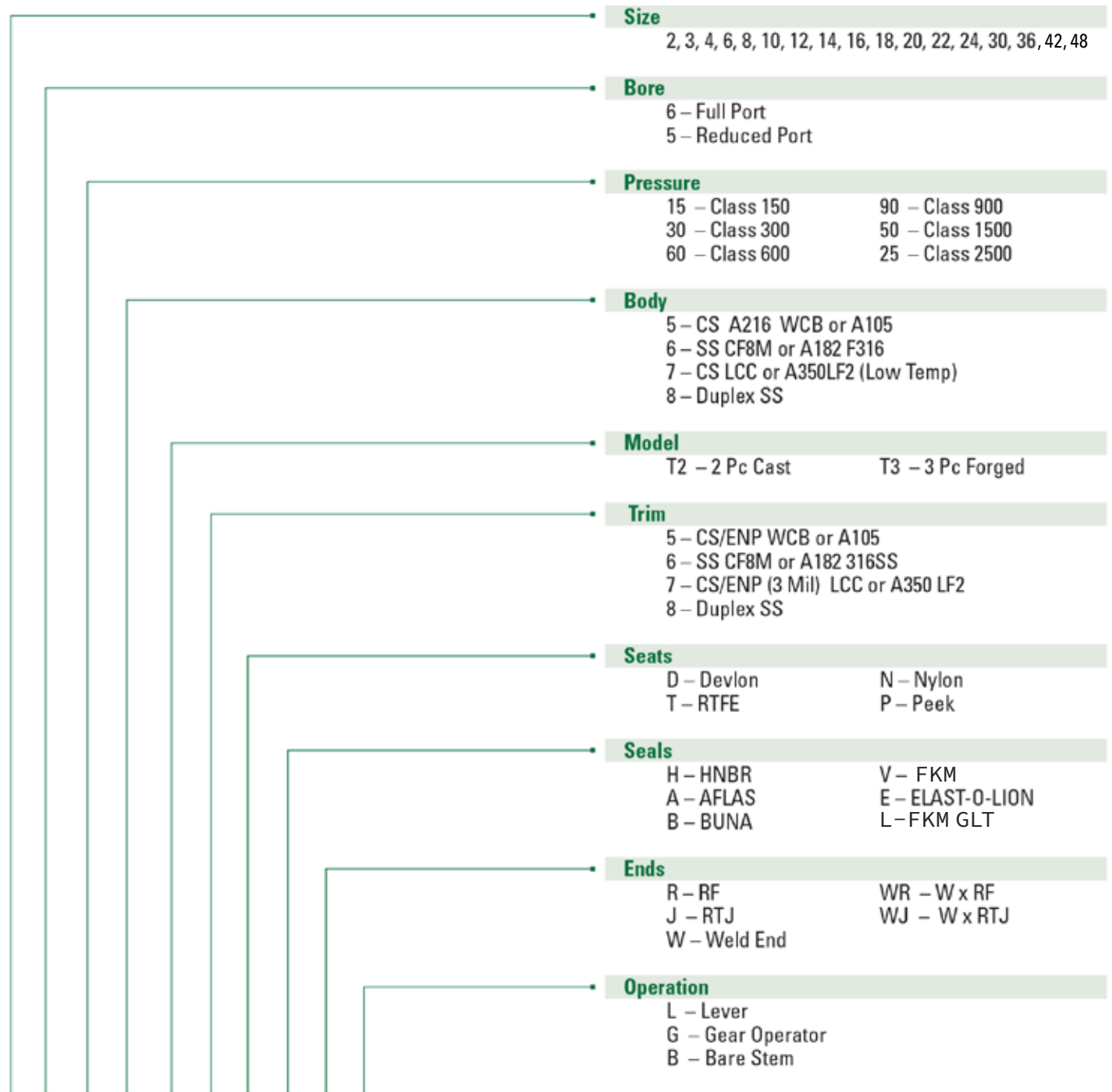
All products of Seller's manufacture are warranted against defects of material and workmanship for a period of twelve (12) months from the date of installation or eighteen (18) months from date of shipment, whichever period first expires, when such products are used in the service and within the pressure range for which they were manufactured.

In the case of products or parts not wholly of Seller's manufacture, Seller's liability shall be limited to the extent of its recovery from the manufacturer of such products or parts under its liability to Seller. 5. MINIMUM BILLING: 6. TERMS OF PAYMENT: 7. CANCELLATIONS AND RETURNS: 8.WARRANTIES: Any repair work performed by Seller is warranted for one year from completion of such repairs and applies only to work performed. If, within these specified periods, Seller receives notice from Buyer of any alleged defect in or nonconformance of any product or repair and if, in the Seller's sole judgment, the product or repair does not conform or is found to be defective in material or workmanship, then, Buyer shall, at Seller's request, return the part or product FCA to Seller's designated plant or service location. Seller has no liability for removal or reinstallation of products or equipment from below the surface of the water.

Seller, at its option and expense, shall repair or replace the defective part or product, or repay to Buyer the full price paid by Buyer for such defective part, repair or product. Any repayment of purchase price shall be without interest. Seller's warranty liability, including defects caused by Seller's negligence, shall be limited to such repair, replacement or refund, and shall not include claims for labor costs, expenses of Buyer resulting from such defects, recovery under general tort law or strict liability or for damages resulting from delays, loss of use, or other direct, indirect, incidental or consequential damages of any kind. Seller will not be responsible for failures of products which have been in any way tampered with or altered by anyone other than an authorized representative of Seller, failures due to lack of compliance with recommended maintenance procedures or products which have been repaired or altered in such a way (in Seller's judgment) as to affect the products adversely.

This warranty is expressly in lieu of all other warranties, express, statutory, or implied, including the warranty of merchantability and fitness for particular purpose which exceed the forgoing warranty.

WARREN VALVE TRUNNION ORDERING GUIDE



8 6 60 5 T2 5 D H R G

Example

NOTE: All Warren Trunnion Mounted Ball Valves meet NACE MR 0175/ISO 15156 Latest Edition and Fire Safe as a standard.